

Introducing
ProDeck[™]
By Doleco



Smooth Operation,
Every Time!

The only double-deck system with patented, non-stick foot assemblies that glide freely, even under load.

ProDeck[™] by Doleco solves the most frustrating problem in double deck systems—stuck beams. Our revolutionary wear-resistant foot assemblies feature patented clip-on pads made of an advanced material that glide smoothly in the track—even under heavy loads—or when track alignment is effected by trailer walls flexing. This simple but powerful innovation eliminates the costly equipment damage and downtime caused by stuck beams and desperate attempts to force them free, particularly with forklifts.

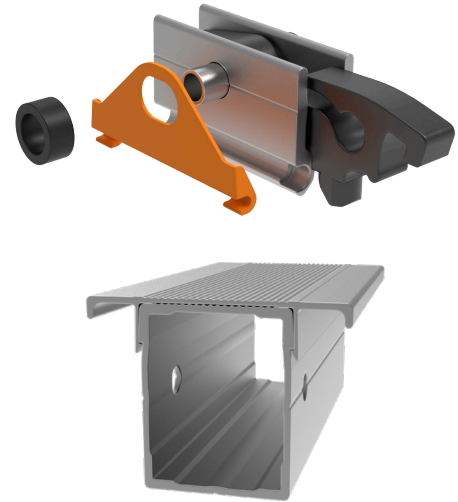
Combined with our modular beam designs and premium engineering, ProDeck[™] delivers the reliability, durability and efficiency that modern fleets demand. Experience the future of double decking—where every beam moves precisely when and where you need it to.

ProDeck™: The Future of Double Decking

Elevate your logistics game with ProDeck™, the groundbreaking double decking system designed to redefine efficiency and maximize payload capacity in semi-trailers. Engineered for innovation, ProDeck™ offers a lightweight yet robust solution that enables seamless stacking of products, ensuring you can transport more without compromising on stability or safety.

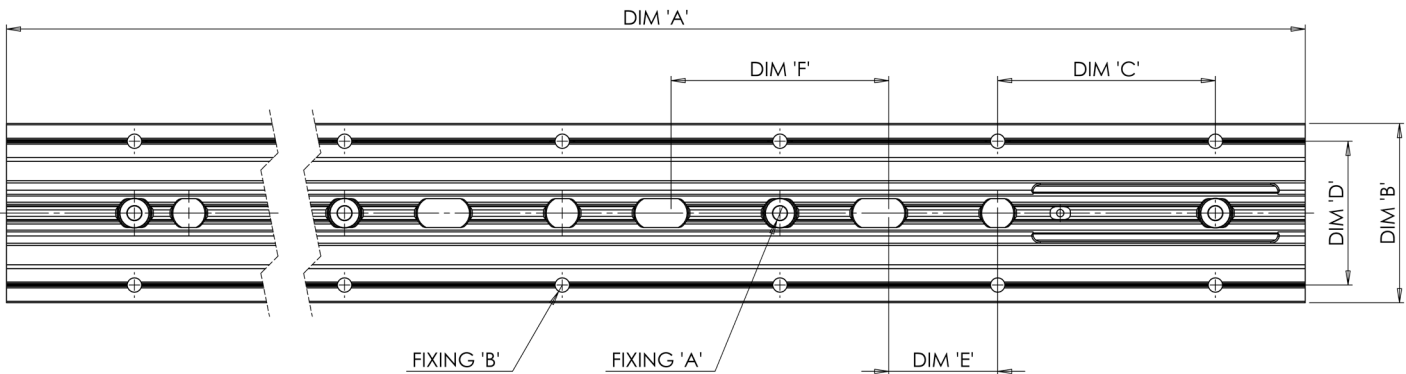
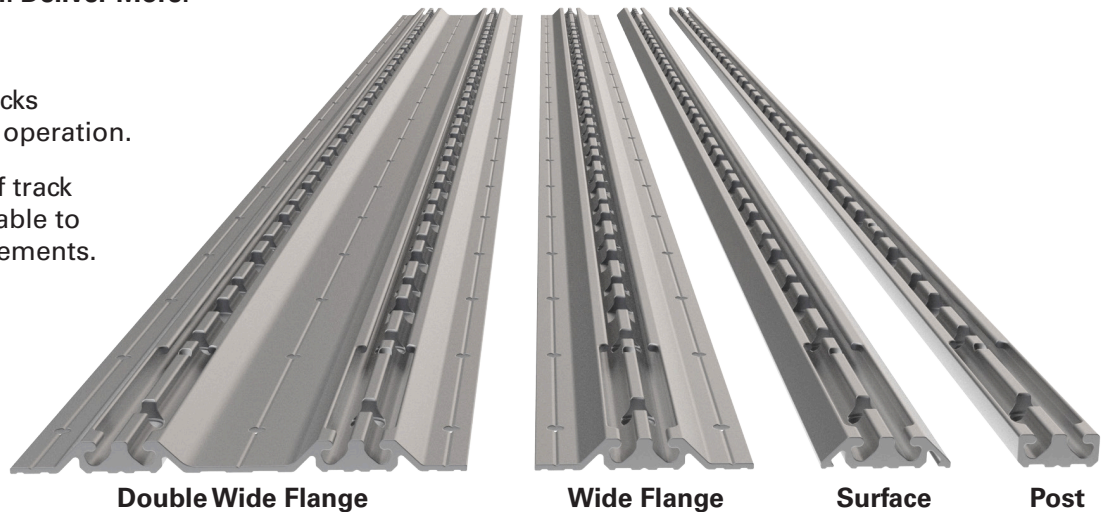
At the heart of ProDeck™ lies pioneering technology, protected by multiple patents, including our revolutionary clip-on wide top and durable plastic wear pads on the foot assembly. These features provide unmatched ease of use and longevity, even under the toughest conditions. The foot assembly's wide, stable base creates a rock-solid foundation, ensuring reliable performance mile after mile.

Designed to help you make the most of every journey, ProDeck™ is your partner in maximizing payload capacity, reducing costs, and boosting operational efficiency. It's not just a decking system—it's a logistics revolution.



ProDeck™: Stack Smarter. Deliver More.

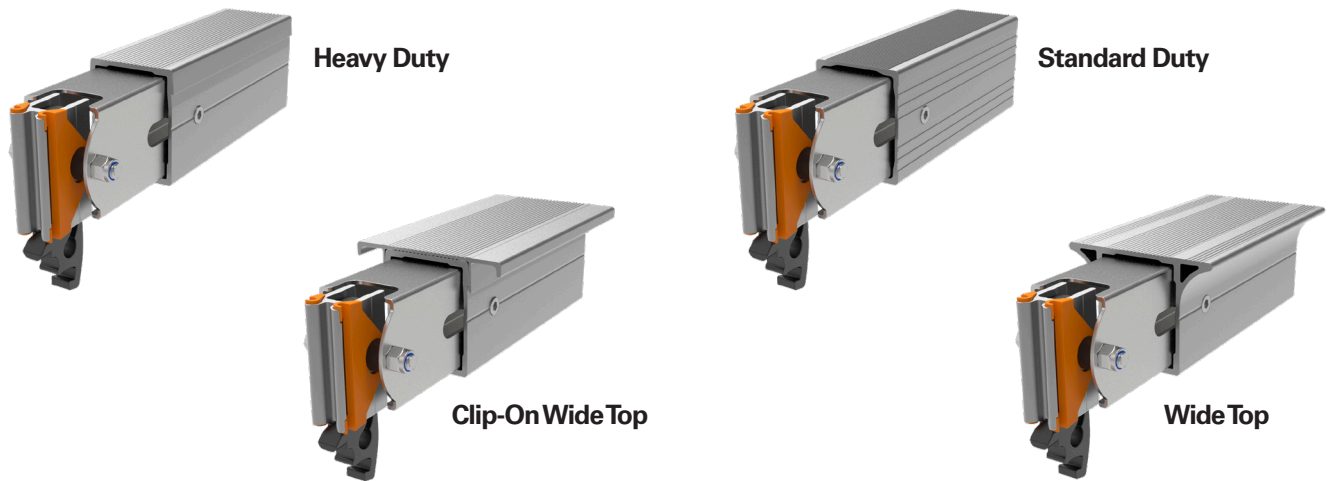
- Precision-machined tracks for smooth and secure operation.
- Available in a variety of track options, fully customizable to meet your exact requirements.



Track Type	Part No.:	Dimensions						Fixings		Weight (lbs.)
		A	B	C	D	E	F	A	B	
Post	33601070	72"	1.22"	4"	-	2"	4"	1/4" 100° Countersink	0.26"	2.56
	33601006	90"	1.22"	4"	-	2"	4"	1/4" 100° Countersink	0.26"	3.30
Single	33601071	72"	1.96"	4"	-	2"	4"	1/4" 100° Countersink	0.26"	3.20
Single WF	33601072	72"	3.29"	4"	2.64"	2"	4"	1/4" 100° Countersink	0.26"	4.02
Double WF	33601074	72"	6.79"	4"	6.14"	2"	4"	1/4" 100° Countersink	0.26"	8.20

The table displays standard sizes for layout and track interface geometries.

Captive Beams



Built for Strength. Engineered for Versatility.

Heavy-Duty Wide Top Beam – Enhanced surface area delivers unmatched stability and support.

Standard-Duty Beam – Reliable, flexible, and ideal for general freight applications.

Heavy-Duty Beam – A stronger, more rigid option for higher load-bearing demands. It also serves as the main structure for the Clip-On Wide Top Beam, allowing seamless upgrades anytime.

Clip-On Wide Top Beam – Same strength as the Heavy-Duty Wide Top, but with a modular, replaceable design. If the top is damaged, simply swap it out at a fraction of the cost—without affecting the beam’s main structure.

Maximize performance. Minimize downtime!

Part No.:	Description	WLL Decking (lbs.)	WLL Decking (lbs.)	Max Cargo* (lbs.)	Weight (lbs.)
33600130	90"-100" Standard Duty Beam	2200	1500	550	17.8
33600131	97"-107" Standard Duty Beam				18.7
33600135	90"-100" Heavy Duty Beam	3000	2500	750	20.2
33600136	97"-107" Heavy Duty Beam				21.2
33601049	90"-100" Wide Top Beam	4000	-	1000	25.5
33601050	97"-107" Wide Top Beam				27.0
33601055	90"-100" Clip-On Wide Top Beam	4000	-	1000	25.5
33601056	97"-107" Clip-On Wide Top Beam				27.0

*Max Cargo is the maximum recommended cargo weight per beam, accounting for expected 4G transport dynamics.

Track Fitting and Release Bars



33607300



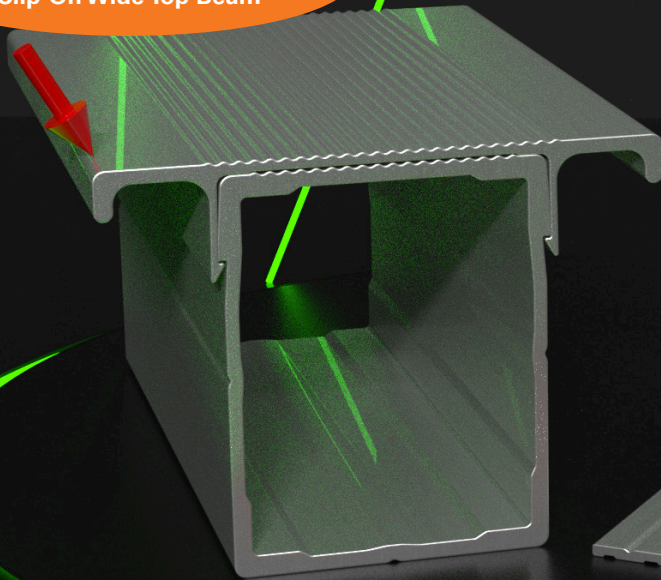
33600065



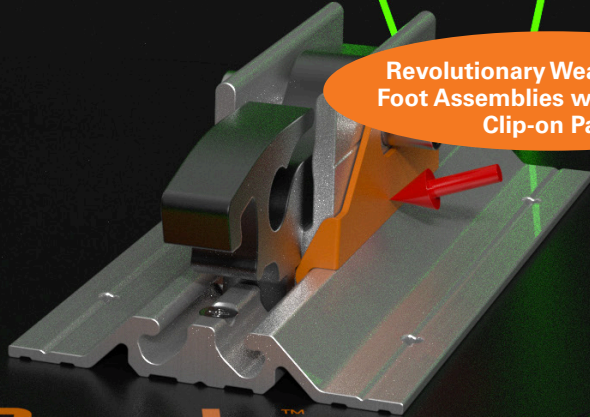
33600064

Fitting can be sold separately or incorporated into any strap required.

Unique, Modular, Replaceable,
Clip-On Wide-Top Beam



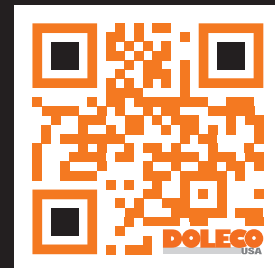
Revolutionary Wear-Resistant
Foot Assemblies with Patented
Clip-on Pads



ProDeck™
By Doleco

The ProDeck™ Advantage

- Increased payload efficiency leads to lower transportation costs.
- Enhanced durability means fewer replacements and reduced downtime.
- Customizable solutions tailored to your fleet's unique needs.
- Seamless integration with existing trailer systems.
- Join the logistics revolution and experience the future of double decking with ProDeck™ by Doleco.



www.doleco-usa.com

Doleco USA, Inc.

Office: 290 Pratt St.
Meriden, CT 06450

Phone: 203-440-1940

Fax: 203-440-1950

E-mail: sales@doleco-usa.com

Warehouses:

Main: 9405 D. Ducks Ln.
Suite D
Charlotte, NC 28273

Western: 2535 N. Hayden Island Dr.
Bldg. C
Portland, OR 97217



See our full line catalog online at
www.doleco-usa.com/literature